

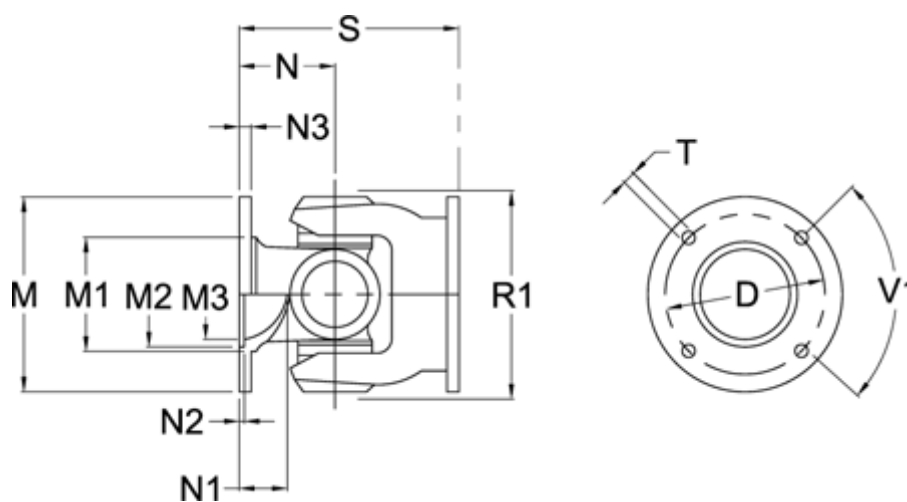
# Data Sheet



Article number: 07109400001

Description: Universal joint single 0.109.400.001  
S=84 X= Bore with keyway

## Measures



D	= 74,5 +-0,1	N2	= 2,5 +0,3
Flange diameter M	= 90	N3	= 6
M1	= 56	Number og Flangeholes	= 4
M2	= 47	R1	= 86
M3	= 39	S min	= 84
Max. Bending Angle degrees	= 20	T	= 8 B12
N	= 42	V1 degrees	= 90
N1	= 18		